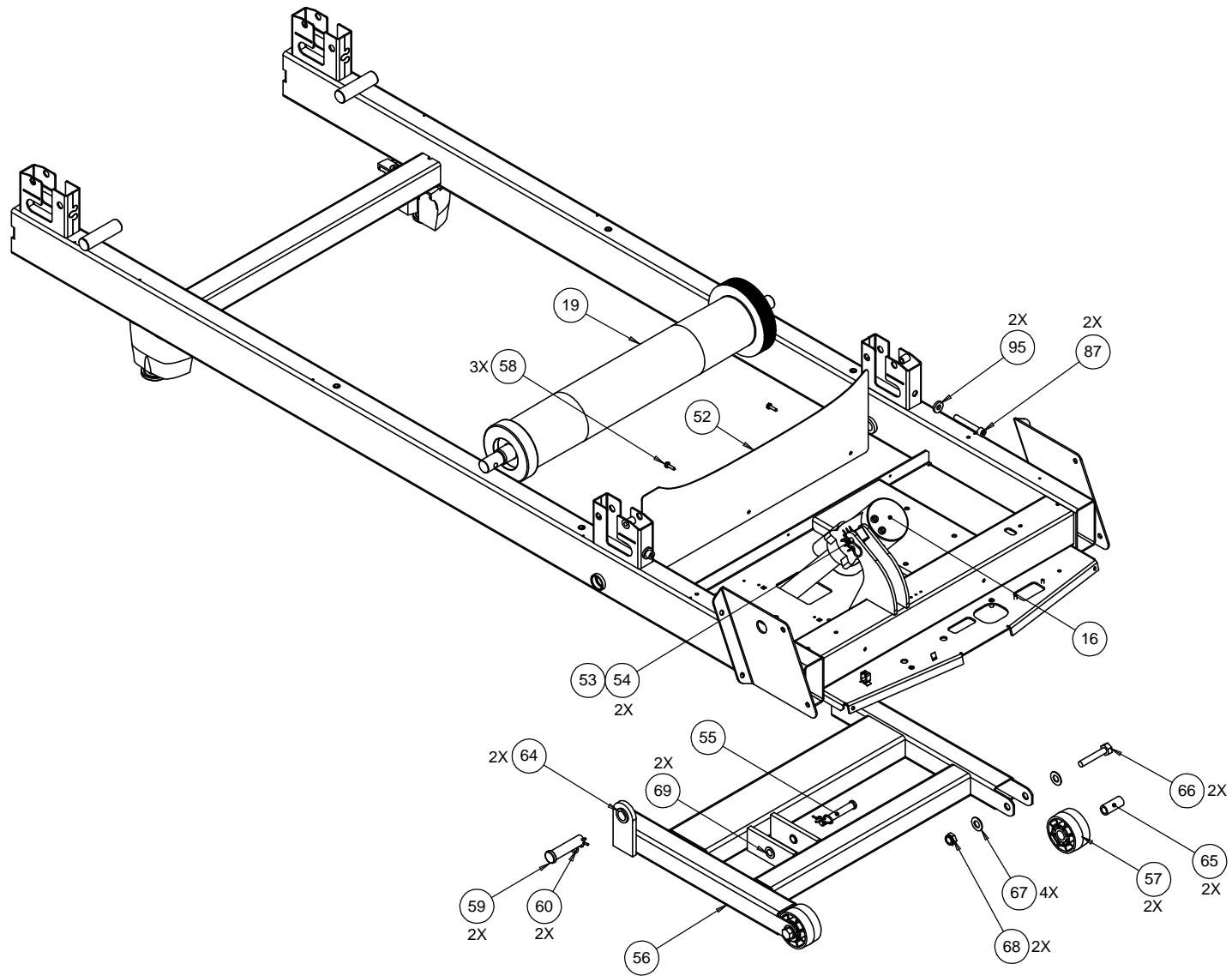
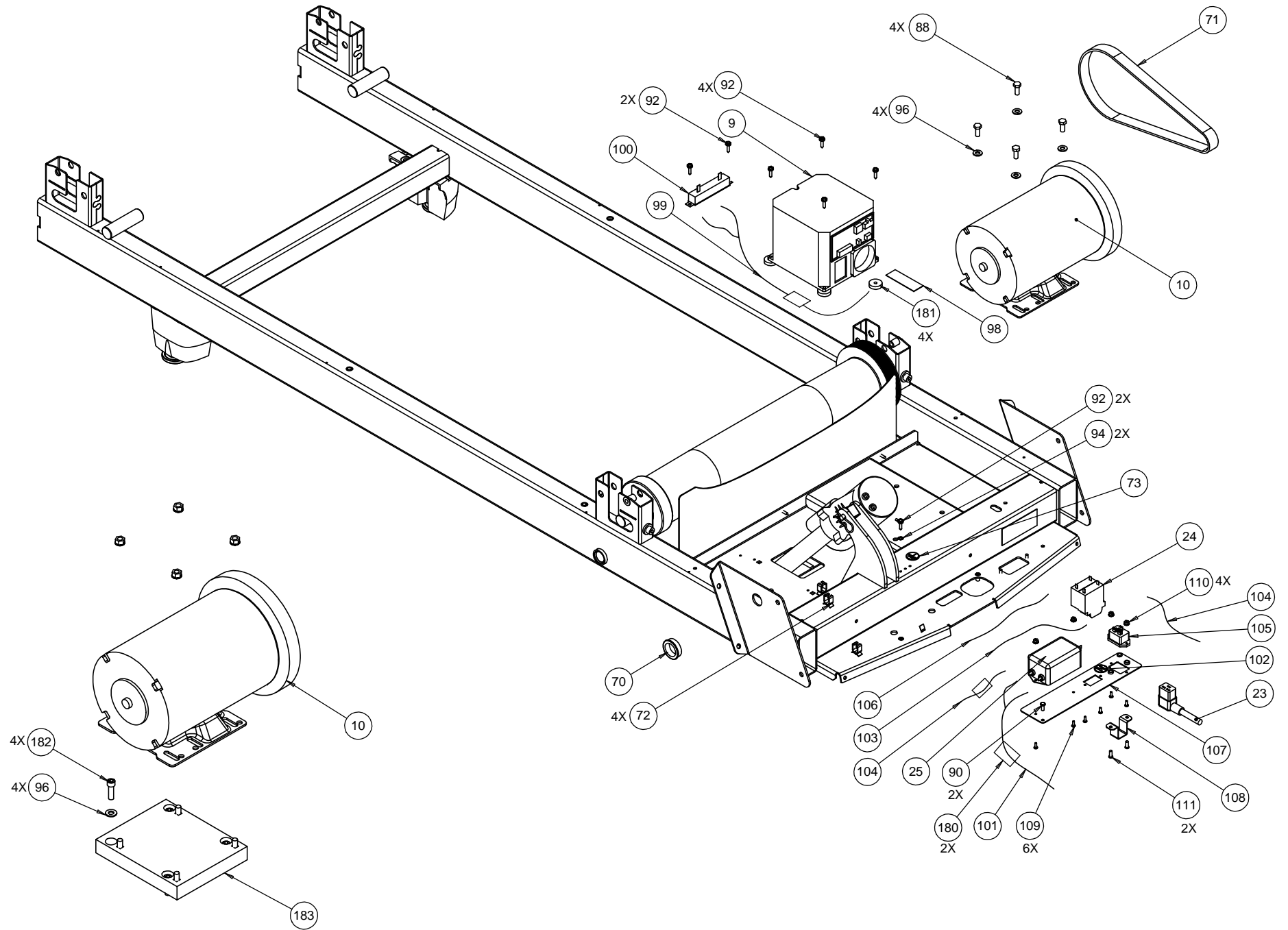


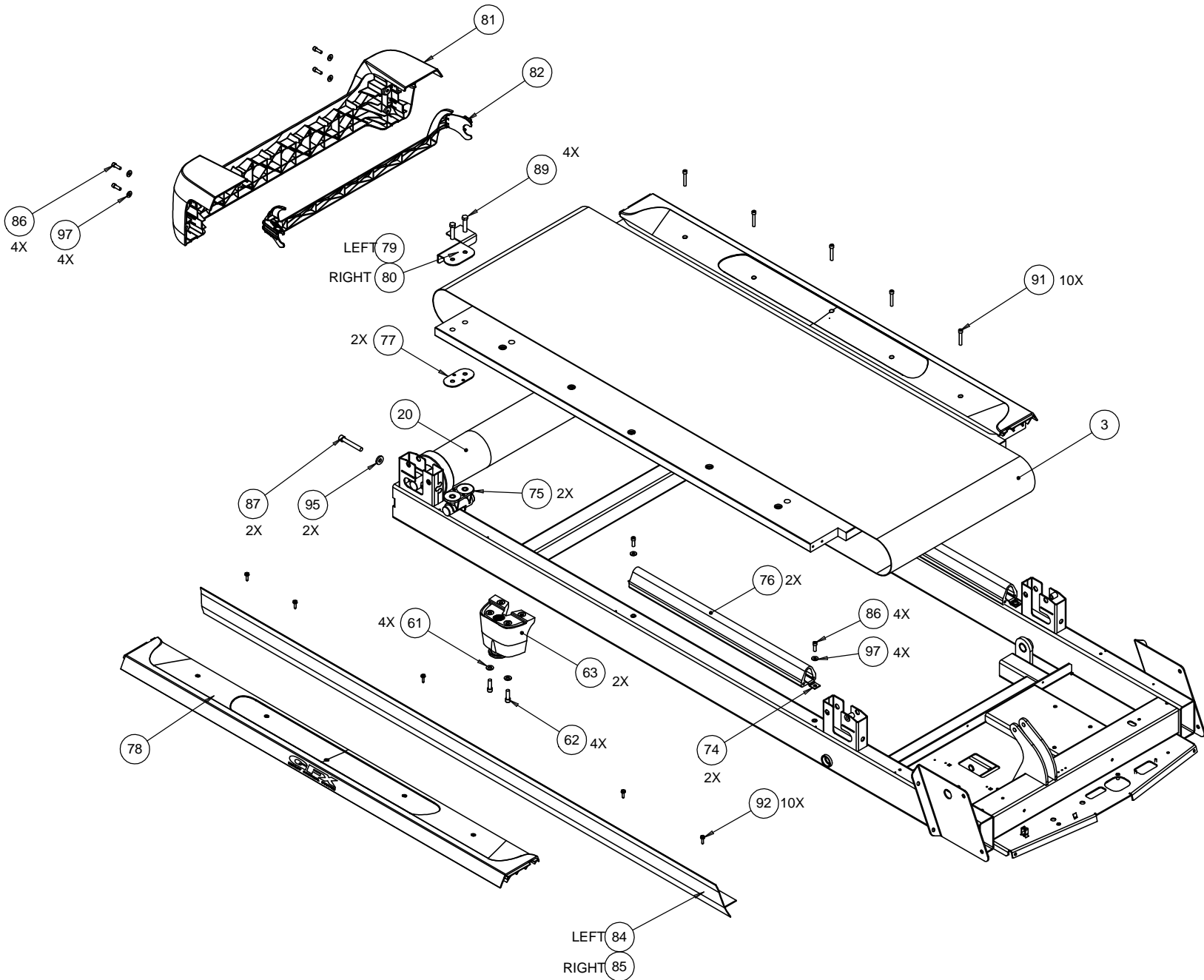


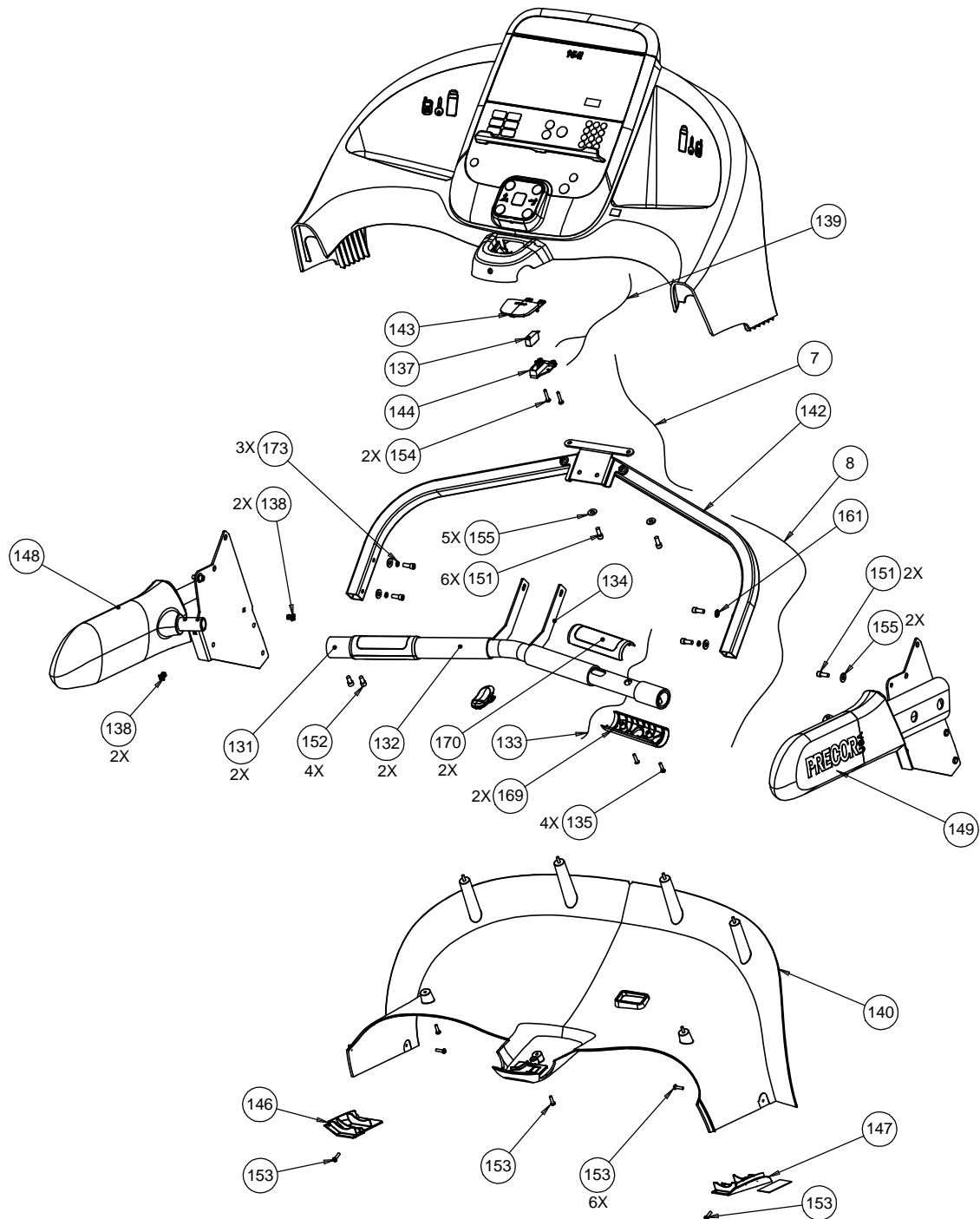
C954i	P/N : 49414-101	SUBREV : K03
DRAWN BY : WDC	DATE : 09.16.13	SHEET 1 OF 7

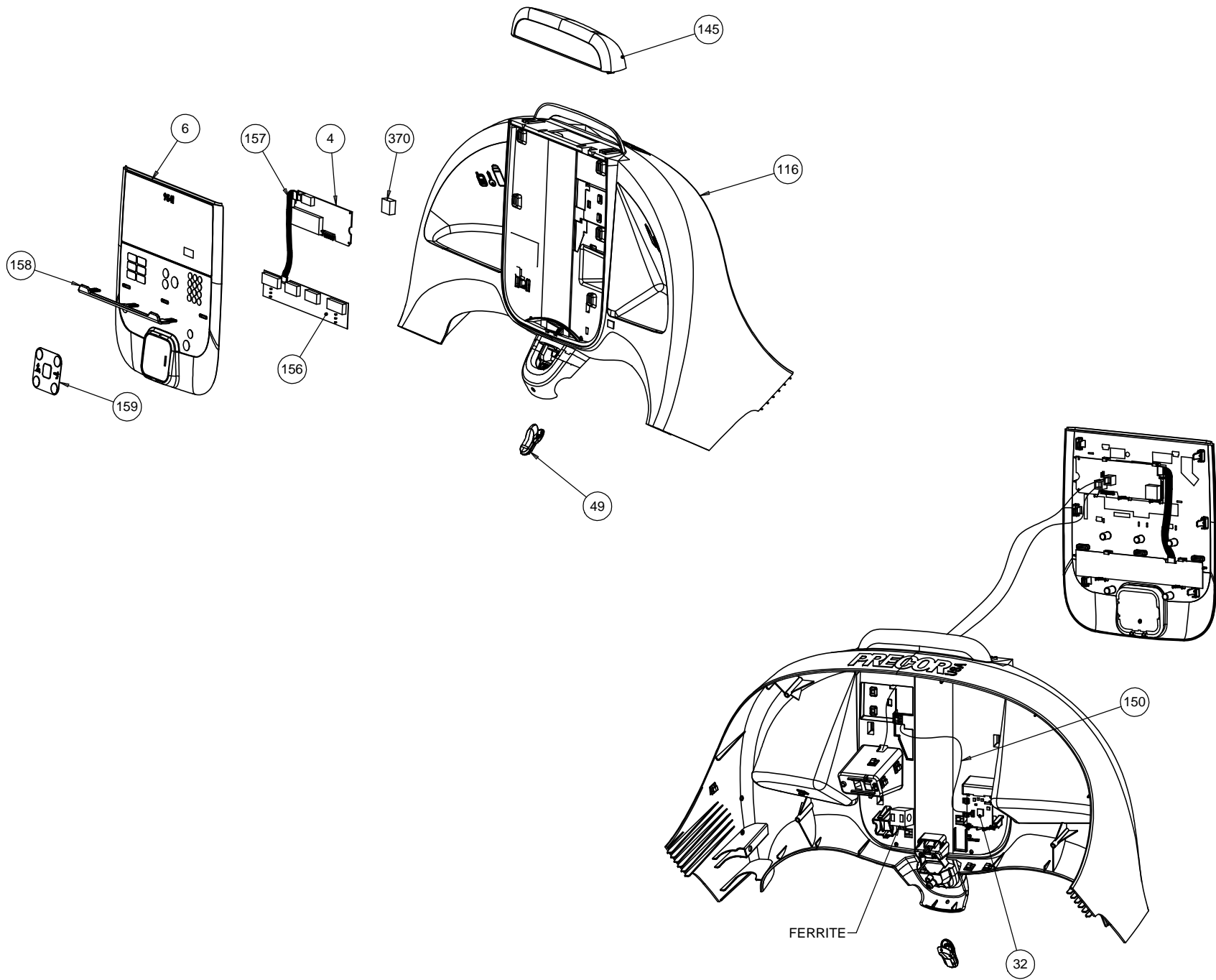


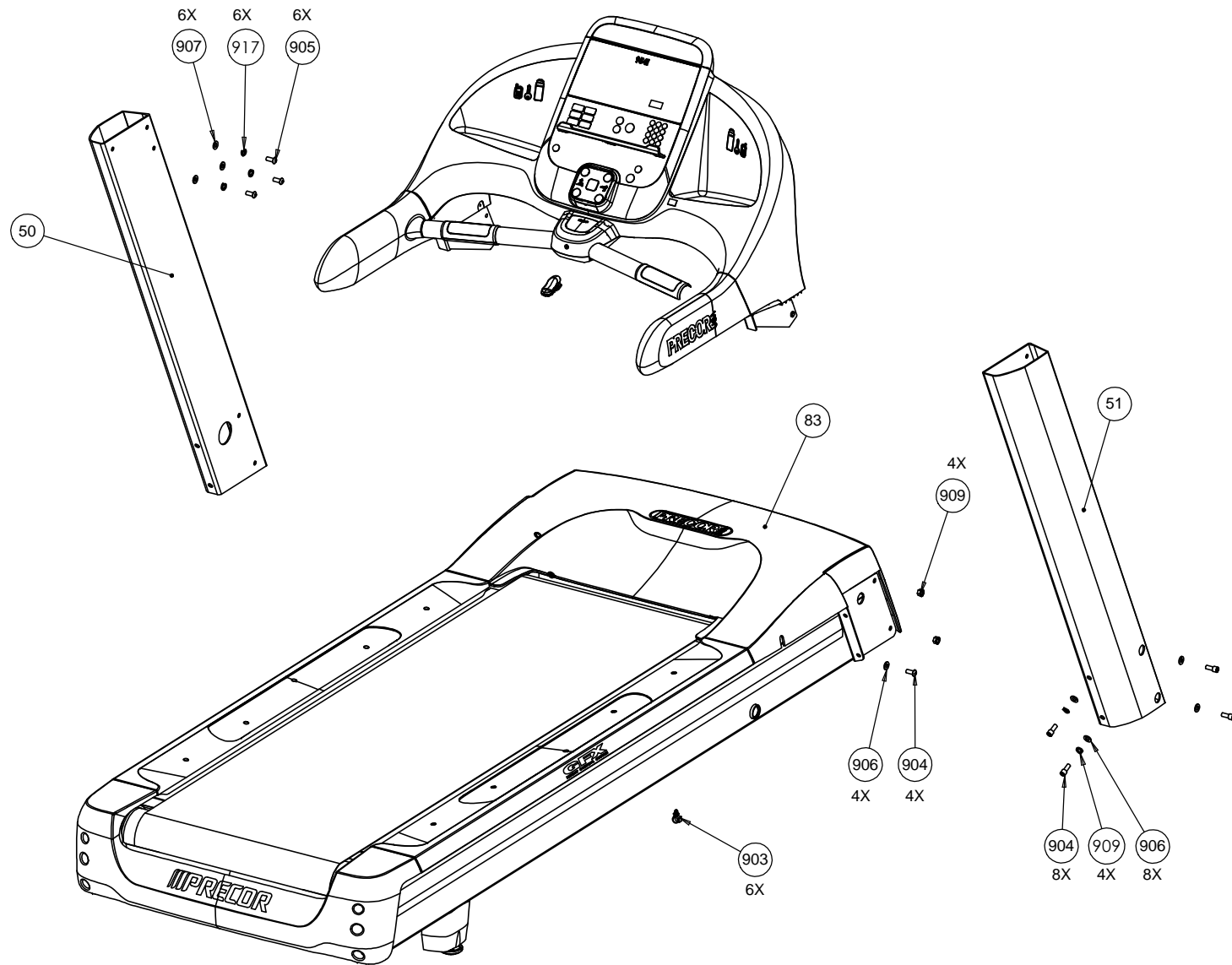


**ISRAELI OPTION ONLY**









120 VAC)(serial code AEXE, ADEY)

OEM #	Description	Bubble#
36355138	RUNNING BELT, SIEGLING 132.75 X 20	3
49714401	PCA, DISPLAY, CV2	4
49861102	ASSY, UPCA & SW, C954I W/ CSAFE	4.01
48779101	ASSEMBLY, DISPLAY PANEL/LABEL, EN,	6
49320080	ASSY, CABLE, MODULAR WITH FERRITE	8
58125101	KIT, BOXED, MODULE,MOTOR DRIVE,120V	9
58066101	KIT, BOXED, ASSY, DRIVE MOTOR, AC I	10
44257107	MOTOR, LIFT ACTUATOR, 120V, ROHS	16
44214104	ASSEMBLY, DRIVE ROLLER	19
44212104	ASSEMBLY, TAKE-UP ROLLER	20
47429144	PWR CORD,125VAC,20A,NEMA 5-20RA45/I	23
11462143	CKT BRKR,250V,MAGNETIC,ROCKER,1 PO	24
11224104	FILTER, POWER LINE, 250VAC, 16A, GE	25
43579108	ASSY BOARD, CHR, CONTACT PRIORITY/	32
44021105	CLIP ASSEMBLY	49
48668101	TARGA, LEFT,PAINTED	50
48668102	TARGA, RIGHT,PAINTED	51
48685101	DUST GUARD	52
10401106	PIN,CLEVIS, 3/8 X 1.75, ZINC	53
10400103	PIN, HITCH, .093 DIA, ZINC, #203	54
45669107	PIN, LIFT PIVOT, 3.34, MUSHROOM HEA	55
48659101	WELDMENT, LIFT PLATFORM	56
44270101	WHEEL, LIFT	57
PKCN019075	SCREW,S/T,#10X.75,WSHHXHD,ZN	58
45669109	PIN, LIFT PIVOT, 3.27, MUSHROOM HEA	59
10400106	PIN, HITCH, .125 DIA, ZINC, #216	60
WBCN031007	WASHER,FLT,5/16X.688X.065, ZN	61
CAMN031100	SCREW,SKHD,5/16-18X1,ZN (MECH PLATI	62
48684101	ASSEMBLY, REAR FOOT	63
10043136	BEARING,FLANGE .875ODX.750IDX.50L	64
36192101	BUSHING, SPANNER	65
HCTN050250	SCREW,HEX,GR 5,1/2-13X2-1/2,BLK SHA	66
KACN050019	LOCKNUT,HALF,1/2-13,ZN	68
10043113	BEARING,FLANGE,OD=.62 ID=.5	69
10178107	BUSHING, SNAP	70
10214104	BELT, DRIVE, 825J10TEM POLY V, TEM,	71
11278101	CABLE CLAMP,INSERT	72
33984101	LABEL, SAFETY, GROUND SYMBOL	73
44074106	STRAP, GFX TIE DOWN	74
44234101	DECK PIVOT	75
44236101	GFX CUSHION	76
44263101	PLATE, SPACER, DECK	77



<b>300833101</b>	BRACKET, REAR ROLLER GUARD, LEFT, P	79
<b>300833102</b>	BRACKET, REAR ROLLER GUARD, RIGHT,	80
48694101	END CAP	81
48695103	BELT GUARD, END CAP	82
59090101	GEN-06 HOOD KIT, 954I/956I, 120V	83
<b>300172101</b>	SIDE TRIM, LEFT, PLASTIC	84
<b>300172102</b>	SIDE TRIM, RIGHT, PLASTIC	85
CAMN025063	SCREW,SKHD,1/4-20X5/8,ZN (MECH PLAT	86
CKMN038250	SCREW,SKHD,3/8-24X2.50L,.78 SHOULDE	87
<b>HCCN031075</b>	SCREW, HEX HD, GRADE 5, 5/16-18 X .	88
<b>HCCN038150</b>	SCREW,HEX,GR 5,3/8-16X1 1/2,ZN	89
<b>MGCN019050</b>	SCREW, MACHINE, 10-24X1/2, PANHD, P	90
<b>CATN025150</b>	SCREW, SKHD,1/4-20X1.50,BLK SHARPER	91
<b>PKCN019075</b>	SCREW,S/T,#10X.75,WSHHXHD,ZN	92
300438102	PLATE, CONNECTOR, COAX/CAT5,	93
WAMCN019002	WASHER, LOCK, EXT TOOTH, #10	94
WAVCN038015	WASHER, FLAT, 3/8 X .875 X .150	95
<b>WBCN031007</b>	WASHER,FLT,5/16X.688X.065, ZN	96
<b>WNCN026006</b>	WASHER,FLT,1/4X.625X.063,ZN	97
12000030	GASKET,EMI,FABRIC OVER FOAM W/PSA,1	98
<b>300075016</b>	ASSY, CABLE, 2C, 16 AWG, BROWN, QK	99
<b>12248101</b>	RES,WW,100 OHM,50W,10%,METAL CASE,.	100
48940101	ASSY,CABLE, FILTER TO DRIVE MODULE	101
<b>37436101</b>	LABEL, CHASIS NEUTRAL	102
40193006	ASSY,CBL,1C,12AWG,250X032 QD RECP(X	103
<b>45381101</b>	IEC 16/20A POWER CORD INLET	105
40194007	ASSY,CBL,1C,12AWG,250X032 QD RECP/2	106
<b>48760101</b>	PLATE, POWER ENTRY	107
<b>48761101</b>	CLAMP, POWER CORD	108
MGCN013038	SCREW,MCH,6-32X3/8,PANHD,PHIL,	109
KGCN013011	LOCKNUT, STARWASHER 6-32, #6	110
<b>MGCN019050</b>	SCREW, MACHINE, 10-24X1/2, PANHD, P	111
48667104	DASH, COMMERCIAL, TOP	116
38048120	GRIP, PLASTISOL, 2.0	131
38048121	GRIP, PLASTISOL, 6.0	132
<b>47342025</b>	ASSY, CABLE, HHR PCA TO GRIP, W/SH	133
48699501	ASSY, CROSSBAR, COMMERCIAL TREAD, H	134
<b>TCNN016075</b>	SCREW, BTHD, 8-32X.75,SS	135
<b>10123105</b>	CABLE TIE, 6 LONG,WHITE,NYLON	136
<b>12259102</b>	SWITCH,MICRO,PLUNGER,SPNC	137
12628101	INSERT, SQUARE, NYLON	138
48921017	ASSY, CABLE, UPPER SAFETY SWITCH, 1	139
48666101	DASH, COMMERCIAL, BOTTOM	140
48703102	ASSY, PVS UPPER MOUNT	142

<b>48710103</b>	STOP BUTTON, GEN 06	143
48711102	SWITCH MOUNT, GEN 06	144
CAMN031100	SCREW,SKHD,5/16-18X1,ZN (MECH PLATI	144
48713101	TOP, DISPLAY-C, BLANK	145
48715101	TRANSITION, DASH - TARGA, LEFT	146
48715102	TRANSITION, DASH - TARGA, RIGHT	147
49277103	ASSEMBLY, HANDLEBAR, SHORT, LEFT	148
49277104	ASSEMBLY, HANDLEBAR, SHORT, RIGHT	149
49415028	ASSY, CABLE, CHOKE-GND HHR TO DISP	150
<b>CAMN025075</b>	SCREW, SKHD, 1/4 X 0.75, ZN,(MECH P	151
CCNN025050	SCREW,SKHD,1/4-20 X0.50,SS,LK	152
MGCN016063	SCREW,MCH,8-32X5/8,PANHD,PHIL,	153
<b>PMTN016088</b>	SCREW,TCS,#8X7/8,PHIL,BLK SHARPERIZ	154
48947153	ASSY, PCA & SW, DISPLAY-C, METRICS,	156
<b>48602009</b>	ASSY,CABLE,6C,.1 CTR,1-1,GOLD,9"	157
<b>48712104</b>	BOOK SUPPORT, DISPLAY-C, MAKROBLEND	158
48778101	LABEL, SNAP DOME, 5 BUTTON TREAD	159
48747102	ASSEMBLY, HOOD	160
WAMCN025002	WASHER, LOCK, EXT TOOTH, 1/4	161
<b>WALCN025006</b>	WASHER, SPLIT LOCK, 1/4 MED,	162
<b>42714102</b>	HHR SENSOR,BOTTOM	169
<b>42713102</b>	HHR SENSOR, TOP	170
48963106	HARDWARE KIT, 9X6I	200
59127103	GEN06 TRIM REPLACEMENT KIT, C95X	241
12909101	5/16" SCREW EXTRACTOR	243
<b>11075105</b>	FUSE,2.00A,250VAC,SLO,RAD,UL248-14	250
<b>49778101</b>	FOAM, ANTI-STATIC 1" X 1" X .5" THI	370
<b>12414101</b>	CABLE CLAMP INSERT,SNAP IN	903
<b>CATN031075</b>	SCREW,SKHD,5/16-18X0.75,BLK SHARPER	904
<b>TCNN031075</b>	SCREW,BTHD,5/16-18X.75,SS	905
WEGN031007	WASHER, FLT, 5/16X.688X.065,SS, BLK	906
WENN031007	WASHER, FLT, 5/16X.688X.065,SS	907
<b>TATN031075</b>	SCREW,BTHD,5/16-18X3/4,BLK SHARPERI	908
<b>KGCN031027</b>	LOCKNUT,STARWASHER,5/16-18,1/2	909
<b>WALCN031008</b>	WASHER, 5/16 SPLIT LOCK, ZINC	917
49337106	LITERATURE KIT, C954I DISPLAY C-V G	999